

Group 4

EMC shielding





Shield clamps without foot

- ▶ Suitable for a wide range of cables from 1,5 to 74 mm
- ▶ Ideal adherence to cable shielding
- ▶ Possibility to mount the springs easily, no need to use tools
- ▶ Constant pressure of the spring on the cable sheath without having to run tests and checks
- ▶ High vibration resistance
- ▶ Ideal shape and dimensions make a high cable density easily manageable



Model	Code	Clamping range [mm]	Dimensions [mm]			Pcs /pack
			B	H	S	
MSS 1.5-3	1734010010	1,5 - 3	11	12	8	50
MSS 3-6	see MSS2 3-6					
MSS 7-9	1734010030	7 - 9	11	17	8	50
MSS 9-12	1734010040	9 - 12	12	19	8	50
MSS 11-17	1734010050	11 - 17	13,5	25	8	50
MSS 17-22	1734010060	18 - 22	22	34	8	50
MSS 22-30	1734010070	22 - 30	22,5	40,5	12	10
MSS 30-37	1734010080	30 - 37	40	55	12	10
MSS 38-48	1734010090	38 - 48	40	64	12	10
MSS 50-60	1734010095	50 - 60	50	74,5	12	10
MSS 62-74	1734010100	62 - 74	62	88	12	10

The MSS shield clamps enable the cable shield to be grounded easily and effectively.

The MSS shield clamps can be fixed with screws or rivets.

Technical data

Material: spring steel, zinc plated

Related products

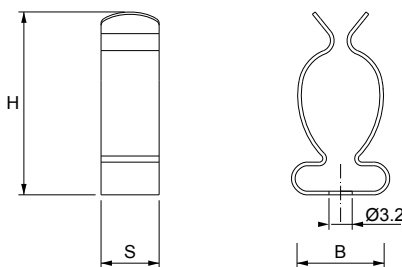
MB DIN rail bases



NEW

4

Dimensions [mm]





Shield clamps without foot

- ▶ Suitable for a wide range of cables from 1,5 to 22 mm
- ▶ Ideal adherence to cable shielding
- ▶ **Increased wings length for easier cable insertion**
- ▶ Constant pressure of the spring on the cable sheath without having to run tests and checks
- ▶ High vibration resistance
- ▶ Ideal shape and dimensions make a high cable density easily manageable



Model	Code	Clamping range [mm]	Dimensions [mm]			Pcs /pack
			B	H	S	
MSS2 1.5-3	1734010210	1,5 - 3	11	13,5	8	50
MSS2 3-6	1734010220	3 - 6	11	16		
MSS2 7-9	1734010230	7 - 9	11	18,5		
MSS2 9-12	1734010240	9 - 12	12	22		
MSS2 11-17	1734010250	11 - 17	13,5	27		
MSS2 18-22	1734010260	18 - 22	22	36,5		

The MSS2 shield clamps enable the cable shield to be grounded easily and effectively.

The MSS2 shield clamps can be fixed with screws or rivets.

Technical data

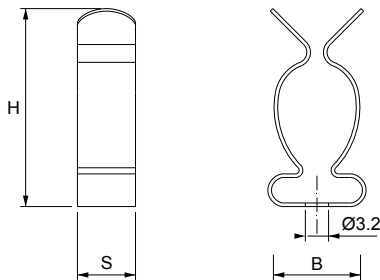
Material: spring steel, zinc plated

Related products

MB DIN rail bases



Dimensions [mm]

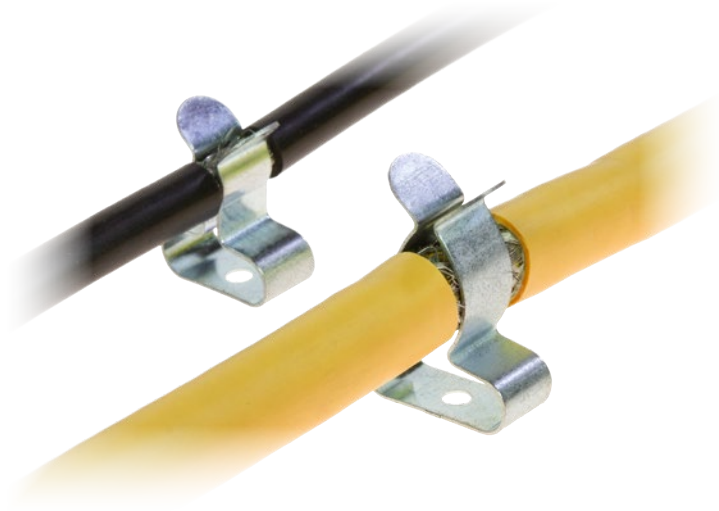



STEEL



Extended range shielding clamps without foot

- ▶ Suitable for a wide range of cables from 3 to 19 mm
- ▶ Snap-in assembly, no need to use tools
- ▶ High vibration resistance
- ▶ Ideal adherence to cable shielding
- ▶ Constant pressure of the spring on the cable sheath without having to run tests and checks



Model	Code	Clamping range [mm]	Dimensions [mm]			Pcs /pack
			B	H	S	
MSL 3-9	1734010310	3 - 9	16,5	20,6	8	50
MSL 10-19	1734010320	10 - 19	19,5	27	8	

The MSL shield clamps enable the cable shield to be grounded easily and effectively.

The MSL shield clamps can be fixed with screws or rivets.

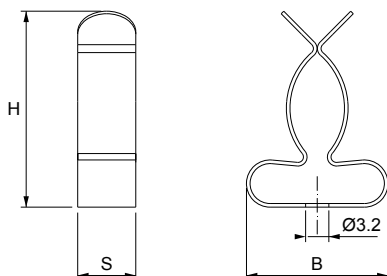
Technical data

Material: spring steel, zinc plated

Related products

MB DIN rail bases

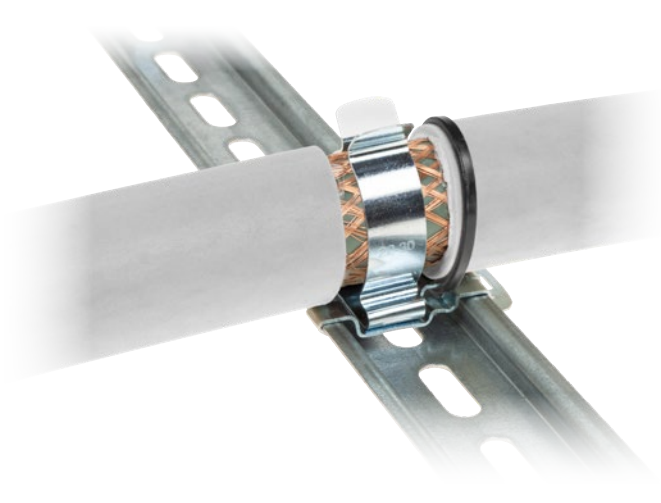
Dimensions [mm]





Shield clamps for DIN and Omega rails

- ▶ Suitable for a wide range of cables from 1,5 to 74 mm
- ▶ Snap-in assembly, no need to use tools
- ▶ Available with a coupling base in two widths: 14 and 22 mm
- ▶ High vibration resistance
- ▶ Possibility of obtaining shield grounding and anti-tear functions with a single device
- ▶ Ideal adherence to cable shielding
- ▶ Constant pressure of the spring on the cable sheath without having to run tests and checks



Model	Code	Clamping range [mm]	Dimensions [mm]				Pcs /pack
			L	B	H	S	
MSD 1.5-3	1734020010	1,5 - 3	14	11	13,6	8	50
MSD 3-6	see MSD2 3-6						
MSD 7-9	see MSD2 7-9						
MSD 9-12	1734020040	9 - 12	14	12	20,5	8	50
MSD 11-17	see MSD2 11-17						
MSD 17-22	1734020060	18 - 22	14	22	36	8	50
MSD 22-30	1734020070	22 - 30	22	22,5	45	12	10
MSD 30-37	1734020080	30 - 37	22	31	58	12	10
MSD 38-48	1734020090	38 - 48	22	40	68,5	12	10
MSD 50-60	1734021095	50-60	22	50	75	12	10
MSD 62-74	1734021098	62-74	22	62	89	12	10

The MSD shield clamps enable the cable shield to be grounded easily and effectively. They secure the anti-tear function on the cable by fixing it with a tie.

The anti-tear function complies with EN 62444 standards.

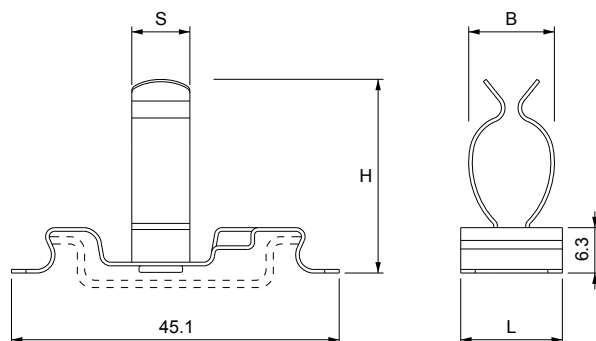
The MSD shield clamps can be used on 35 mm DIN/Omega rails.

Technical data

Material: spring steel, zinc plated

NEW

Dimensions [mm]



MSD 50-60

4


STEEL



MSD2

Shield clamps for DIN and Omega rails with double cable tie secure

- ▶ Suitable for a wide range of cables from 1,5 to 22 mm
- ▶ Snap-in assembly, no need to use tools
- ▶ **Increased wings length for easier cable insertion**
- ▶ Double cable tie secure possible
- ▶ Possibility of obtaining shield grounding and anti-tear functions with a single device
- ▶ Ideal adherence to cable shielding
- ▶ Constant pressure of the spring on the cable sheath without having to run tests and checks



Model	Code	Clamping range [mm]	Dimensions [mm]				Pcs /pack
			L	B	H	S	
MSD2 1.5-3	1734021010	1,5 - 3	14	11	15	8	50
MSD2 3-6	1734021020	3 - 6	14	11	17,5	8	
MSD2 7-9	1734021030	7 - 9	14	11	20	8	
MSD2 9-12	1734021040	9 - 12	14	12	23	8	
MSD2 11-17	1734021050	11 - 17	14	13,5	29	8	
MSD2 18-22	1734021060	18 - 22	14	22	38	8	
MSD2L 3-9	1734021080	3 - 9	14	16,5	22	8	
MSD2L 10-19	1734021090	10 - 19	14	19,5	28,5	8	

The MSD2 shield clamps enable the cable shield to be grounded easily and effectively. They secure the anti-tear function on the cable by fixing it with one or two cable ties.

The anti-tear function complies with EN 62444 standards.

The MSD 2 shield clamps can be used on 35 mm DIN/Omega rails.

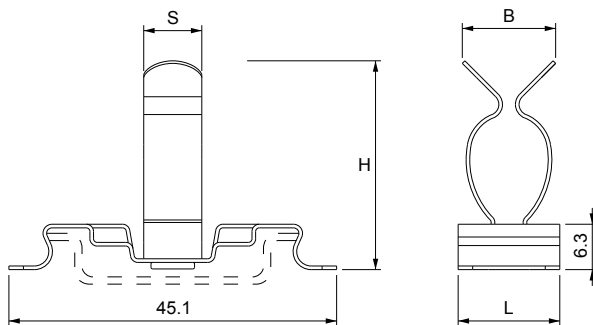
Technical data

Material: spring steel, zinc plated



4

Dimensions [mm]

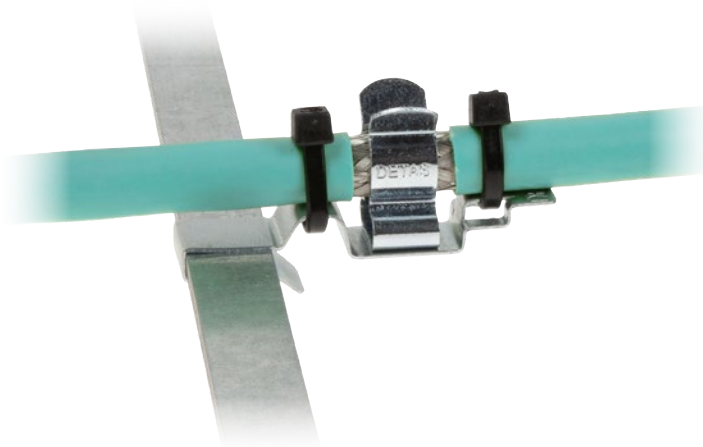



STEEL



Shield clamps for 10 x 3 mm bar with double cable tie secure

- ▶ Suitable for a range of cables from 1,5 to 30 mm
- ▶ Possibility of obtaining shield grounding and anti-tear functions with a single device
- ▶ Double cable tie secure possible
- ▶ Snap-in assembly, no need to use tools
- ▶ Constant pressure of the spring on the cable sheath without having to run tests and checks



Model	Code	Clamping range [mm]	Dimensions [mm]				Pcs /pack
			L	B	H	S	
MSB 1.5-3	1734040010	1,5 - 3	10	11	15	8	50
MSB 3-6	1734040020	3 - 6	10	11	17	8	
MSB 7-9	1734040030	7 - 9	10	11	20	8	
MSB 9-12	1734040040	9 - 12	10	12	22	8	
MSB 11-17	1734040050	11 - 17	10	13,5	28	8	
MSB 18-22	1734040060	18 - 22	10	22	37	8	
MSB 22-30	1734040070	22 - 30	10	22,5	46,5	12	
MSBL 3-9	1734040080	3 - 9	10	16,5	23,5	8	
MSBL 10-19	1734040090	10 - 19	10	19,5	30	8	

The MSB shield clamps enable the cable shield to be grounded easily and effectively. They secure the anti-tear function on the cable by fixing it with one or two cable ties.

The anti-tear function complies with EN 62444 standards.

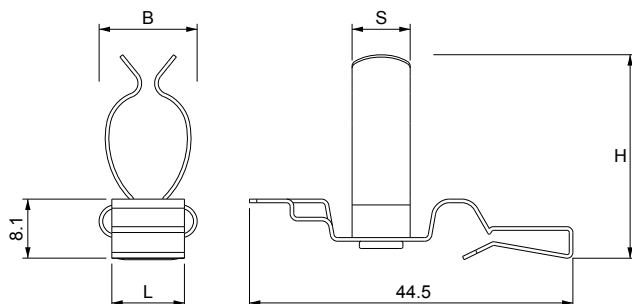
The MSB shield clamps can be used on 10x3 bars.

Technical data

Material: spring steel, zinc plated



Dimensions [mm]





Shield clamps with screw fixing with double cable tie secure

- ▶ Suitable for a range of cables from 1,5 to 30 mm
- ▶ Possibility of obtaining shield grounding and anti-tear functions with a single device
- ▶ Double cable tie secure possible
- ▶ Snap-in assembly, no need to use tools
- ▶ Constant pressure of the spring on the cable sheath without having to run tests and checks



Model	Code	Clamping range [mm]	Dimensions [mm]				Pcs /pack
			L	B	H	S	
MSA 1.5-3	1734030010	1,5 - 3	10	11	15,5	8	50
MSA 3-6	1734030020	3 - 6	10	11	17,5	8	
MSA 7-9	1734030030	7 - 9	10	11	21	8	
MSA 9-12	1734030040	9 - 12	10	12	22,5	8	
MSA 11-17	1734030050	11 - 17	10	13,5	29	8	
MSA 18-22	1734030060	18 - 22	10	22	40	8	
MSA 22-30	1734030070	22 - 30	10	22,5	47	12	
MSAL 3-9	1734030080	3 - 9	10	16,5	24	8	
MSAL 10-19	1734030090	10 - 19	10	19,5	30,5	8	

The MSA shield clamps enable the cable shield to be grounded easily and effectively. They secure the anti-tear function on the cable by fixing it with one or two cable ties.

The shield clamp can be fixed with a M4 screw.

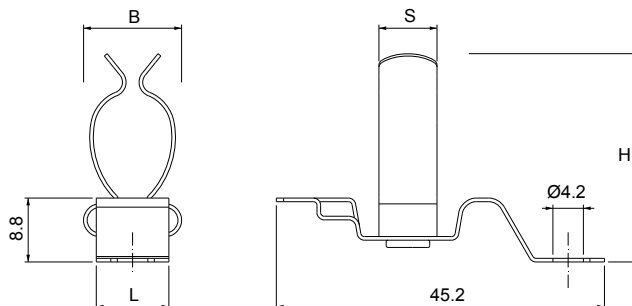
The anti-tear function complies with EN 62444 standards.

Technical data

Material: spring steel, zinc plated



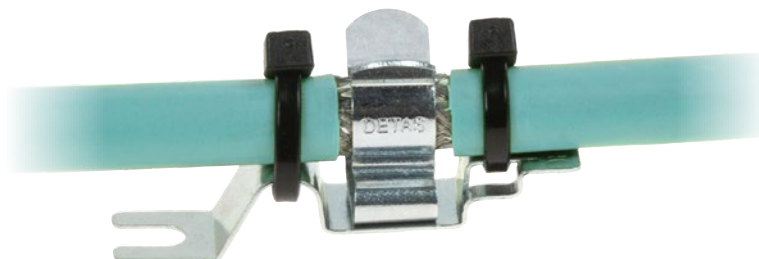
Dimensions [mm]





Shield clamps with screw fixing with double cable tie secure

- ▶ Suitable for a range of cables from 1,5 to 30 mm
- ▶ Possibility of obtaining shield grounding and anti-tear functions with a single device
- ▶ Double cable tie secure possible
- ▶ Snap-in assembly, no need to use tools
- ▶ Constant pressure of the spring on the cable sheath without having to run tests and checks



Model	Code	Clamping range [mm]	Dimensions [mm]				Pcs /pack
			L	B	H	S	
MSE 1.5-3	1734050010	1,5 - 3	10	11	15,5	8	50
MSE 3-6	1734050020	3 - 6	10	11	17,5	8	
MSE 7-9	1734050030	7 - 9	10	11	21	8	
MSE 9-12	1734050040	9 - 12	10	12	22,5	8	
MSE 11-17	1734050050	11 - 17	10	13,5	29	8	
MSE 18-22	1734050060	18-22	10	22	37	8	
MSE 22-30	1734050070	22-30	10	22,5	46,5	12	
MSEL 3-9	1734050080	3 - 9	10	16,5	24	8	
MSEL 10-19	1734050090	10 - 19	10	19,5	30,5	8	

The MSE shield clamps enable the cable shield to be grounded easily and effectively. They secure the anti-tear function on the cable by fixing it with a tie.

The shield clamp can be fixed with a M4 screw.

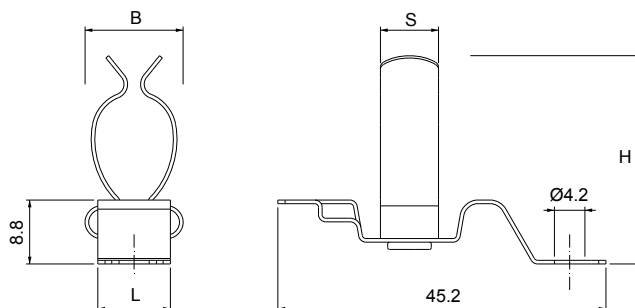
They secure the anti-tear function in compliance with EN62444 by fixing the cable it with one or two cable ties.

Technical data

Material: spring steel, zinc plated



Dimensions [mm]




STEEL



Multiple EMC shielding

- ▶ Suitable for cable ranges from 1,5 to 12 mm
- ▶ Snap-in assembly, no need to use tools
- ▶ **Increased wings length for easier cable insertion**
- ▶ Constant pressure of the spring on the cable sheath without having to run tests and checks
- ▶ Saving installation time and money



Model	Code	Cable nr.	Clamping range [mm]	Dimensions [mm]			Pcs /pack
				B	H	L	
MSU 3x 1,5-3	1734030310	3	1,5 - 3	46	30	19,1	1
MSU 3x 3-6	1734030320	3	3 - 6	46	30	21,6	
MSU 3x 7-9	1734030330	3	7 - 9	46	30	24,0	
MSU 3x 9-12	1734030340	3	9 - 12	46	30	27,2	
MSU 4x 1,5-3	1734030410	4	1,5 - 3	61	30	19,1	
MSU 4x 3-6	1734030420	4	3 - 6	61	30	21,6	
MSU 4x 7-9	1734030430	4	7 - 9	61	30	24,0	
MSU 4x 9-12	1734030440	4	9 - 12	61	30	27,2	
MSU 5x 1,5-3	1734030510	5	1,5 - 3	72	46	19,1	
MSU 5x 3-6	1734030520	5	3 - 6	72	46	21,6	
MSU 5x 7-9	1734030530	5	7 - 9	72	46	24,0	
MSU 5x 9-12	1734030540	5	9 - 12	72	46	27,2	
MSU 6x 1,5-3	1734030610	6	1,5 - 3	88	62	19,1	
MSU 6x 3-6	1734030620	6	3 - 6	88	62	21,6	
MSU 6x 7-9	1734030630	6	7 - 9	88	62	24,0	
MSU 6x 9-12	1734030640	6	9 - 12	88	62	27,2	
MSU 7x 1,5-3	1734030710	7	1,5 - 3	104	78	19,1	
MSU 7x 3-6	1734030720	7	3 - 6	104	78	21,6	
MSU 7x 7-9	1734030730	7	7 - 9	104	78	24,0	
MSU 7x 9-12	1734030740	7	9 - 12	104	78	27,2	
MSU 8x 1,5-3	1734030810	8	1,5 - 3	120	94	19,1	
MSU 8x 3-6	1734030820	8	3 - 6	120	94	21,6	
MSU 8x 7-9	1734030830	8	7 - 9	120	94	24,0	
MSU 8x 9-12	1734030840	8	9 - 12	120	94	27,2	
MSU 9x 1,5-3	1734030910	9	1,5 - 3	140	116	19,1	
MSU 9x 3-6	1734030920	9	3 - 6	140	116	21,6	
MSU 9x 7-9	1734030930	9	7 - 9	140	116	24,0	
MSU 9x 9-12	1734030940	9	9 - 12	140	116	27,2	
MSU 10x 1,5-3	1734031010	10	1,5 - 3	150	126	19,1	
MSU 10x 3-6	1734031020	10	3 - 6	150	126	21,6	
MSU 10x 7-9	1734031030	10	7 - 9	150	126	24,0	
MSU 10x 9-12	1734031040	10	9 - 12	150	126	27,2	
MSU 11x 1,5-3	1734031110	11	1,5 - 3	166	140	19,1	
MSU 11x 3-6	1734031120	11	3 - 6	166	140	21,6	
MSU 11x 7-9	1734031130	11	7 - 9	166	140	24,0	
MSU 11x 9-12	1734031140	11	9 - 12	166	140	27,2	
MSU 12x 1,5-3	1734031210	12	1,5 - 3	182	156	19,1	
MSU 12x 3-6	1734031220	12	3 - 6	182	156	21,6	
MSU 12x 7-9	1734031230	12	7 - 9	182	156	24,0	
MSU 12x 9-12	1734031240	12	9 - 12	182	156	27,2	

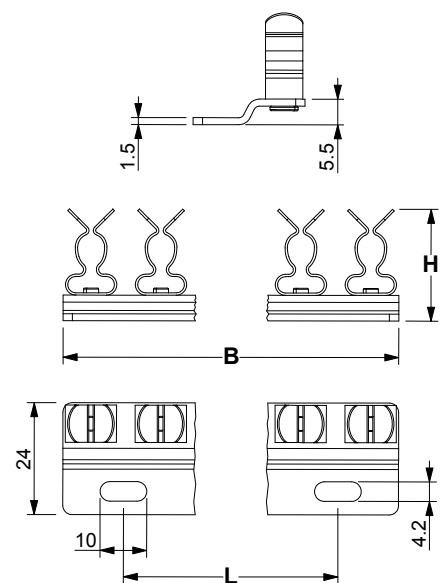
The multiple EMC shielding clamps can shorten the mounting time and space of a multitude of single clips.

The base of the clips is fixed with two M4 screws. Custom solutions are welcome.

Technical data

Material: spring steel, zinc plated

Dimensions [mm]



STEEL

Shield clamps for printed circuit boards

- ▶ Suitable for a cable ranges from 1,5 to 9 mm
- ▶ Direct mounting on PCB
- ▶ **Increased wings length for easier cable insertion**
- ▶ Constant pressure of the spring on the cable sheath without having to run tests and checks



Model	Code	Clamping range [mm]	Clamp dimensions H [mm]	Pcs /pack
MSC 1.5-3	1734060001	1,5 - 3	18	50
MSC 3-6	1734060003	3 - 6	20,5	
MSC 7-9	1734060006	7 - 9	23	

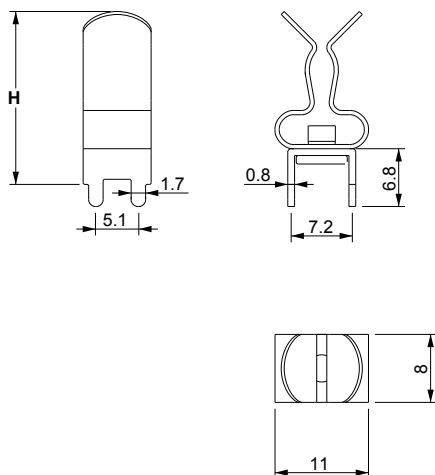
The MSC shield clamps enable the cable shield to be grounded easily and effectively. They secure the anti-tear function on the cable.

The MSC shield clamps is fixed and soldered directly on the PCB.

Technical data

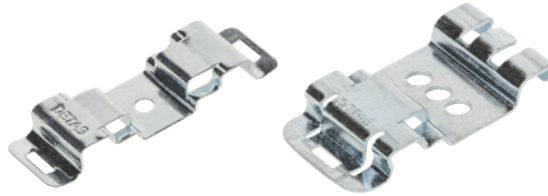
Material: spring steel, zinc plated

Dimensions [mm]



35mm DIN RAIL bases

- ▶ Steel clips for installation of several devices on DIN 35mm rail
- ▶ Quick installation with rivets
- ▶ Strong and secure fixing

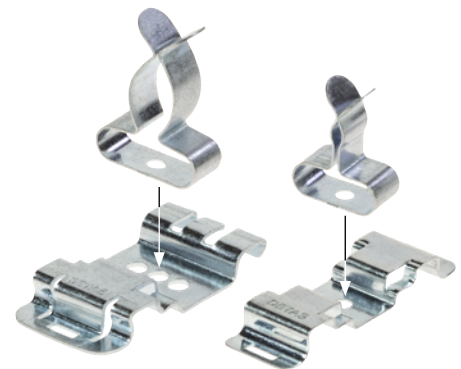


Model	Code	Dimensions [mm]			Pcs /pack
		B	H	S	
MB14	1734000150	14	45,1	6,2	50
MB22	1734000100	22	42,6	6,3	

The MB DIN rail bases are used as quick and solid installation of any kind of device on the 35mm DIN rail. Any device can be fixed to the base with rivets.

Technical data

Material: spring steel, zinc plated



Dimensions [mm]

